

Xe Series

Roll to roll UV Casting

UV REPLICATION SYSTEMS
FOR NANO & MICRO STRUCTURES

XRD UV casting series

Xe 1650

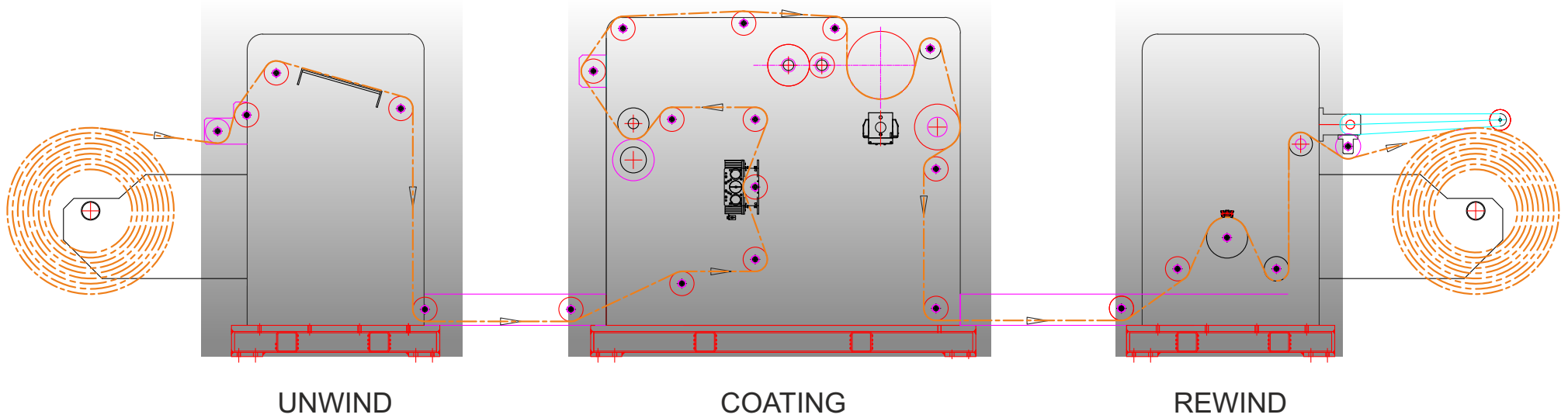
Xe 1350

Xe 1050



FOR THE MOST BRIGHT AND ECONOMICAL HOLOGRAPHY IN THE WORLD

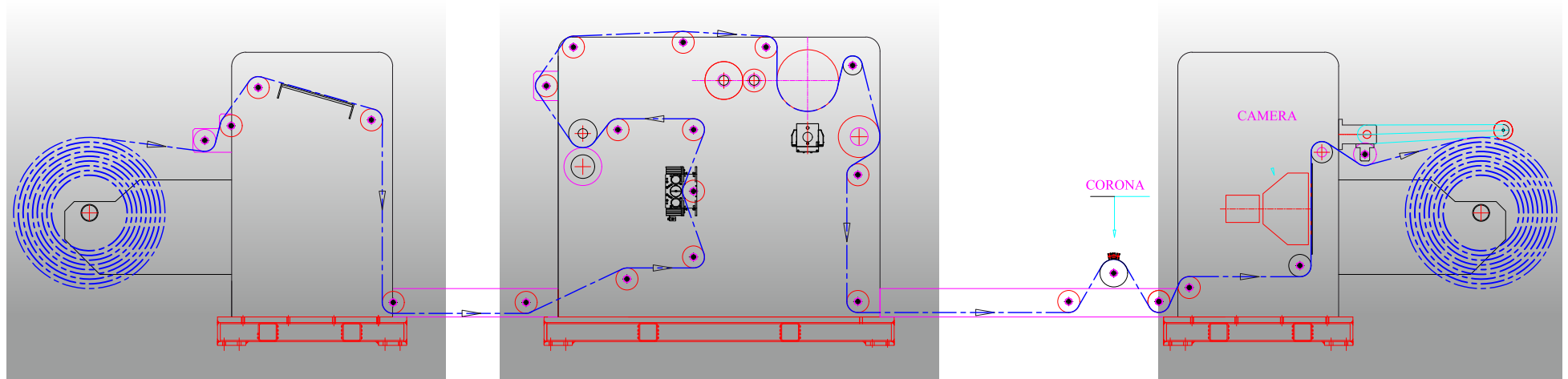
Xe 1650 Overview





FOR THE MOST BRIGHT AND ECONOMICAL HOLOGRAPHY IN THE WORLD

Xe 1350 Overview



UNWINDING

COATING

REWINDING

Index

- XRD Nano
- Market Segments
- Technical Features
- Seamless Embossing
- Samples
- Partners

XRD Nano

We are a team of technical people with decades of experience in holography, laser & optics, chemistry and engineering. Our team made their first deep groove & diamond-turned UV cast structures on the thin films in 2004. Our team has successfully installed these casting lines in India, South Korea, USA & Mexico.

Our vision is to continuously improve Chemistry, machines, tooling and related technologies for the worldwide converters to enhance their product capabilities, reduce response time and cost. Our key focus is to replicate high aspect ratio nano structures and seamless embossing technology.

Our business is to develop & sell technology, tooling, machines and chemicals. We do not manufacture finished products.

Our vision is to provide to our clients masters, resins, machines & related technologies to help them recover their cost of investment in shortest possible time.

Market Segments

AUTHENTICATION

Bank notes
Tax stamps
ID cards
Brand Security

PACKAGING

Labels & Label Stock
Mono cartons
Flexible packaging
Paper packaging
Laminated tubes

INTERIOR & ARCHITECTURE

Decorative window film
Decorative Glass
High pressure laminate
Decorative PMMA, PC, PP, PS
Aluminium composite panels

PIGMENTS

Glitter powder
Security pigments
Special effects pigments

OPTICAL FILMS

Diffuser
Light guide films
Display films

LAMINATION

Thermal over lamination film
Book covers - deep groove

GIFT WRAP

Paper based
Biodegradable plastic film

TEXTILE

Decorative yarn
Laminated film (Spangle)

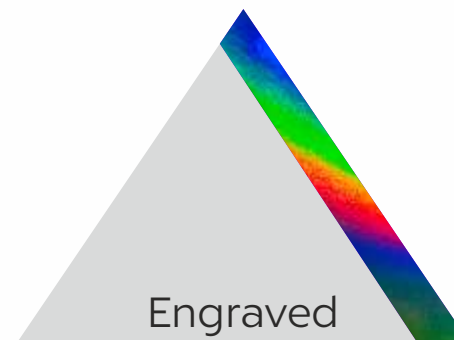
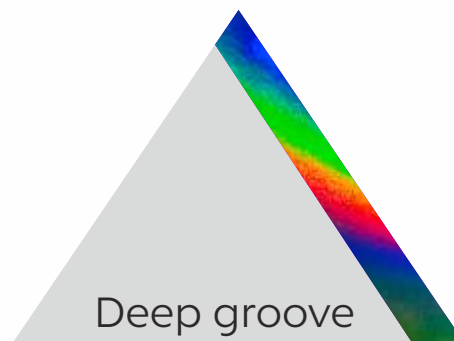
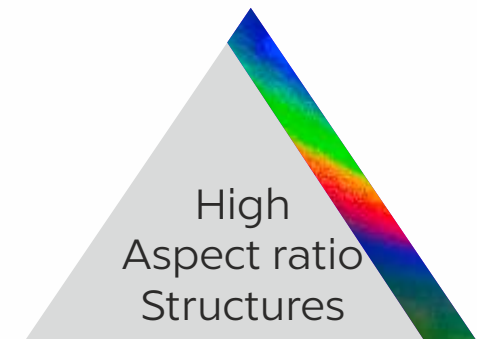
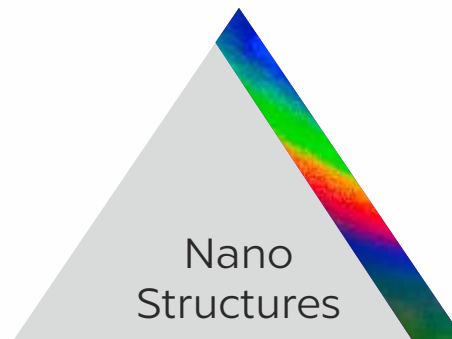
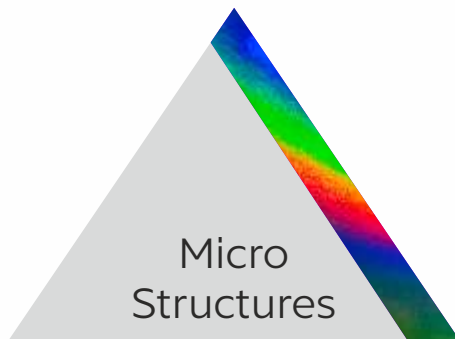
BALLOONS

Nylon film
Special effect films

Main technical features

Machines	Xe 1050	Xe 1350	Xe 1650
Mechanical Speed (m/min)	200 m/min	200 m/min	200 m/min
Widths (mm)	1050 mm	1350 mm	1650 mm
Coating width - maximum	1050 mm	1350 mm	1650 mm
Coating width - minimum	400 mm	500 mm	700 mm
Maximum reel weight	1000 kg	1100 kg	1200 kg
Un-winders maximum diameter	800 mm	800 mm	800 mm
Un-winders minimum / maximum tension	20 - 550 nm	20 - 550 nm	20 - 550 nm
Rewinders maximum diameter	800 mm	800 mm	800 mm
Rewinders minimum / maximum tension	40 - 550 nm	40 - 550 nm	40 - 550 nm
Curing method	LED	LED	LED
Range of materials	PET, BOPP, Nylon, PVC, Shrink PETG/PVC		

Type of structures



UV REPLICATION SYSTEMS
FOR NANO & MICRO STRUCTURES



PVC Shrink Sleeves



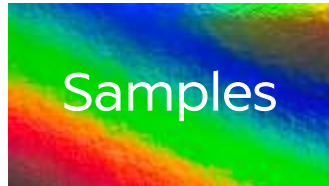
PETG Shrink Sleeves



Patterns



Shrink Sleeves



Samples



Nano and microstructures



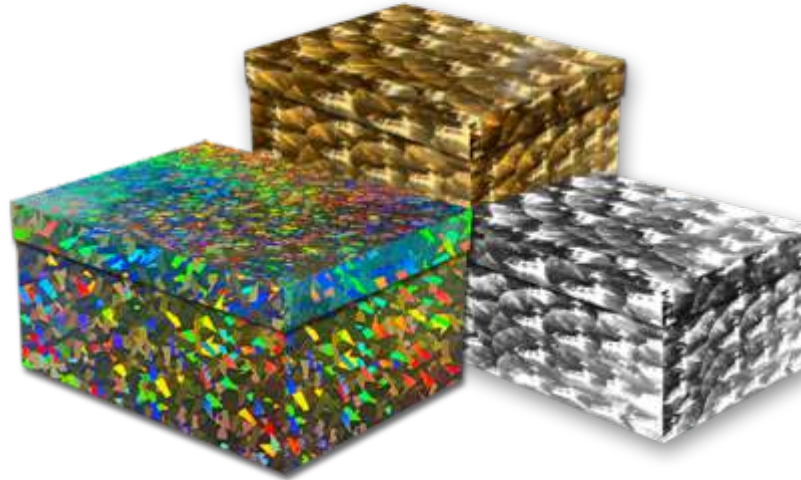
Fresnel lens

UV REPLICATION SYSTEMS
FOR NANO & MICRO STRUCTURES



*Images are used for illustration purpose only

UV REPLICATION SYSTEMS
FOR NANO & MICRO STRUCTURES



*Images are used for illustration purpose only

UV REPLICATION SYSTEMS

FOR NANO & MICRO STRUCTURES



XRD nano



*Images are used for illustration purpose only

Partners



UV REPLICATION SYSTEMS

FOR NANO & MICRO STRUCTURES

Head Office

XRD Nano Limited,
Cambridge Vision Park,
Chivers Way, Cambridge
CB24 9AD, United Kingdom
Tel: +44 1223 827877 | sales@xrdsnano.com

Indian Subsidiary

XRE NANOTECH PRIVATE LIMITED
B-15, New DLF Indl. Area,
Faridabad, Haryana, 120001 India
Tel. +91 9891688111
ajay@xrdsnano.com

Sales office Middle East

Nilpeter Middle East LLC
3001, Prism Tower
Business Bay, Sheikh Zayed Road
283563 - Dubai
Tel. +971 (0)4 448 33 13
manu@xrdsnano.com

Sales office China

Spatial Imaging Art & Technology, Limited
Zhukuan NT Space
770 Huacheng Avenue,
Tianhe District, Guangzhou, China
Tel: +86 (20) 8709 6110
Email: info@siat.ltd



XRD Nano Limited
United Kingdom